



## Beechcraft 1900 Seating & Table Options



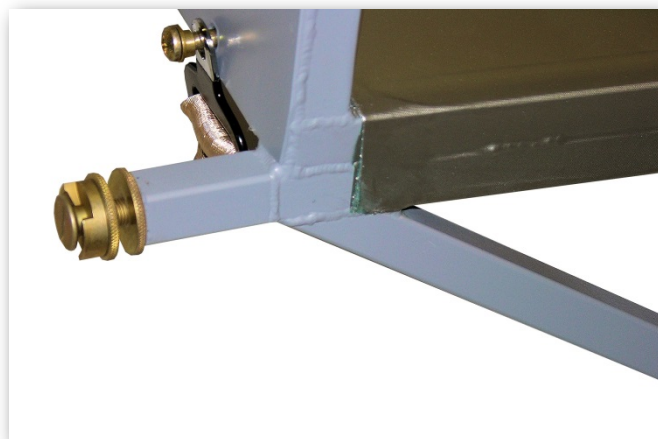


## 1900 Commuter Seats (shown with optional armrest and upholstery)





1900 Fixed Back  
Commuter Seats  
(shown with optional armrest &  
upholstery)







# AVFAB

1900 Fixed Back  
Commuter Seats  
(shown without upholstery)





## Beechcraft 1900 Commuter Seats

**Description:** Seat is lightweight (weighs only 16 lbs. with arm rest, without upholstery) and is ready to go to work. Seats are delivered in "green" condition without upholstery. Leather upholstery is available.

**Models:** Beechcraft 1900 series

**FAA / STC:** TSO Approved

**Features:** Our Beechcraft 1900 Commuter seat is engineered for lightweight durability and affordability, while it implements elements that make it conducive to maximum high density applications. It was designed to enhance the ease of occupant ingress and egress, and is best-suited for applications where maximum seating is desired. The seats are robust and extremely durable. Seat includes lap belt, life vest and container, and seat cushions (un-upholstered). Various floor plans are available.

**Options:** Hinged Back, Shoulder Harness, Arm Rest, Leather Upholstery

**Installation:** No airframe modification is required other than removing existing seats and furnishings, and sliding the new high density seats onto original seat rails (complete installation instructions, diagrams, and weight and balance information are included in the kit).

**Lead Time:** Seats are normally in stock and available for immediate world-wide shipment, however, fluctuations in demand may cause as much as a 30 day delay for delivery.





## 1-Place Divan





## 1-Place Divan







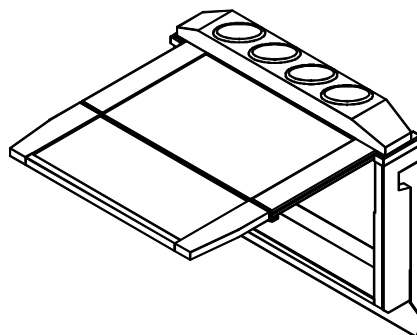
## Side Wall Tables







## BEECHCRAFT 1900D TABLE



Sidewall table installation for conversion to Executive interior.

<b>PRODUCT DATA:</b>
----------------------

**Part Number:** 32-0368K

**Applicable Aircraft:** Beechcraft 1900D.

**Features:** To convert the interior to Executive Configuration. Drink holders are built into the top of the table.

**Options:** AvFab can finish the tables to be ready for installation. Various finishes are available.

**Installation:** Bracket is mounted to the airframe for the top of the table and the bottom of the table attaches to the outboard seat track.

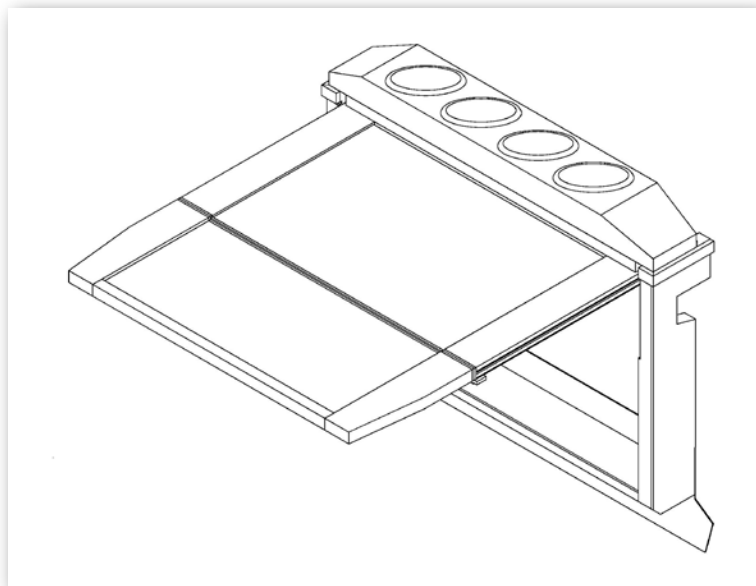
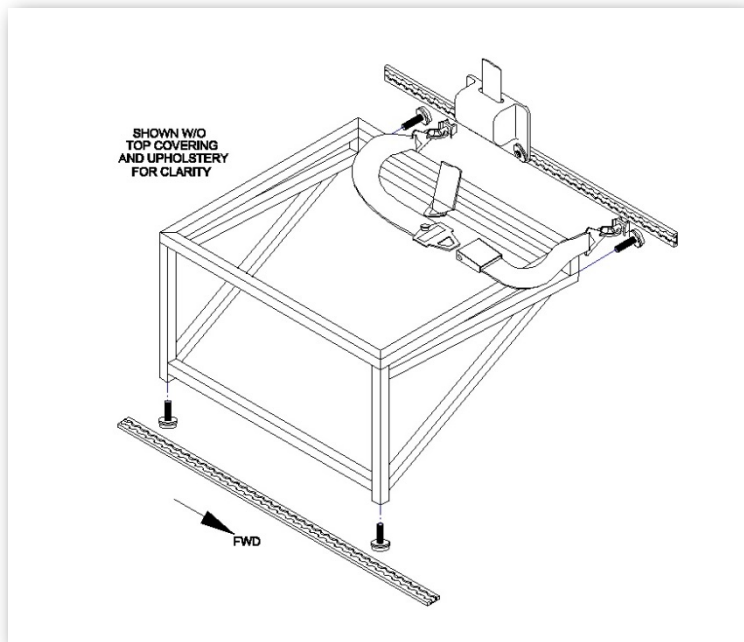
**Approval Type:** STC and PMA eliminating the need for field approval.

**STC Number:** U.S. FAA SA01574WI

**Lead Time:** 10 to 20 working days depending on the customer's requests



## Line Drawings





Learn more about Avfab's comprehensive line of products & services at: [www.AvFab.com](http://www.AvFab.com)



## Aviation Fabricators

805 North 4th Street

Clinton, MO 64735

(660) 885-8317

[www.AvFab.com](http://www.AvFab.com)