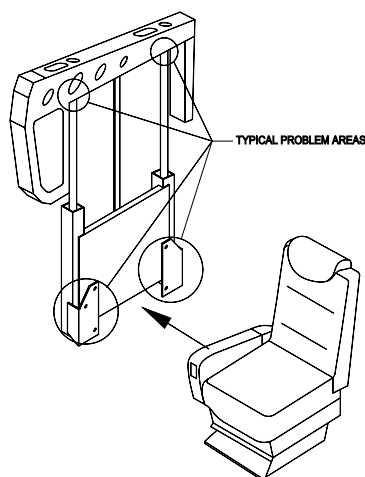


BEECHCRAFT KING AIR & BEECHJET ARMREST REPAIR



PRODUCT DATA:

Part Number:	T1280 Series 1292-601 Armrest Assembly 1292-602 Armrest Assembly
Applicable Aircraft:	Beechjet 400/400A Series King Air B300 (350) Series
Features:	The AvFab repair actually upgrades the armrest assembly to “stronger than new”. During the repair the stress points of the armrest are replaced with stronger material.
Options:	Exchange armrest may be available.
Details:	Comprehensive unit repair/modification will consist of adding stronger attaching brackets and slide tubes and detailed inspection of entire assembly. Repaired armrest assembly will be much more durable than the original built design. AvFab modification part number 32-0327K.
Limitations:	None.
Installation:	Re-installs the same as the original armrest.
Approval Type:	FAA CRS, AvFab drawing D-10443 mod 32-0327K U.S. FAA 8130-3 EASA 8130-3 dual Release.
Lead Time:	Normal lead time to make the repairs is 3 working days. 5 working day may be needed for large orders. Please contact us for an accurate estimate.
Warranty:	One year.

**“EXCELLENCE IN AIRCRAFT INTERIOR
PRODUCTS AND MODIFICATIONS”**
Rev C (12/15)