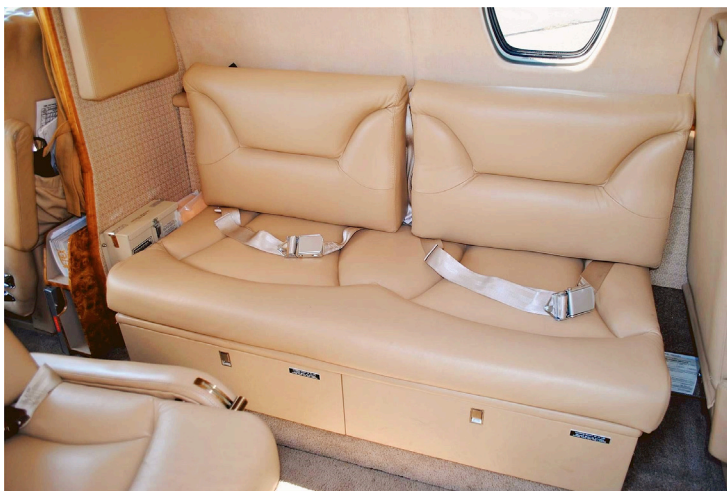


Citation Divans



2-PLACE DIVAN



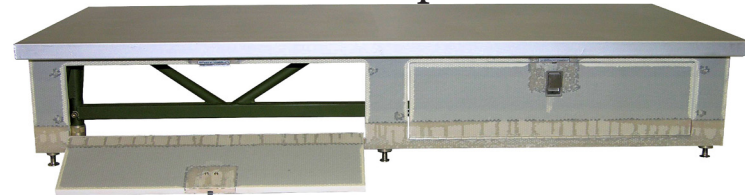
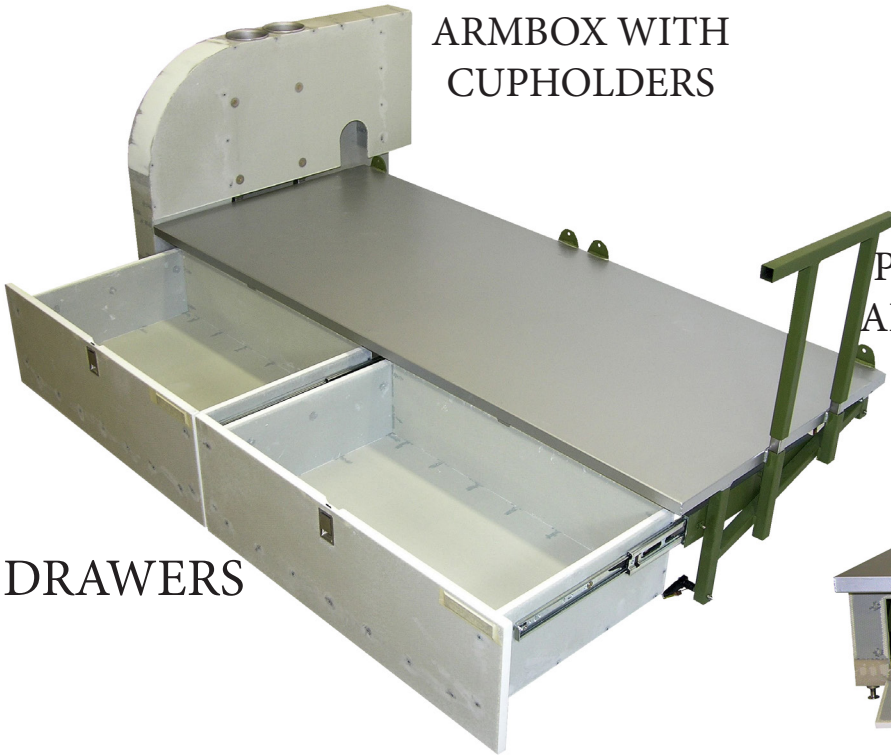
OPTIONS

ARMBOX WITH
CUPHOLDERS

PLUG IN
ARMREST

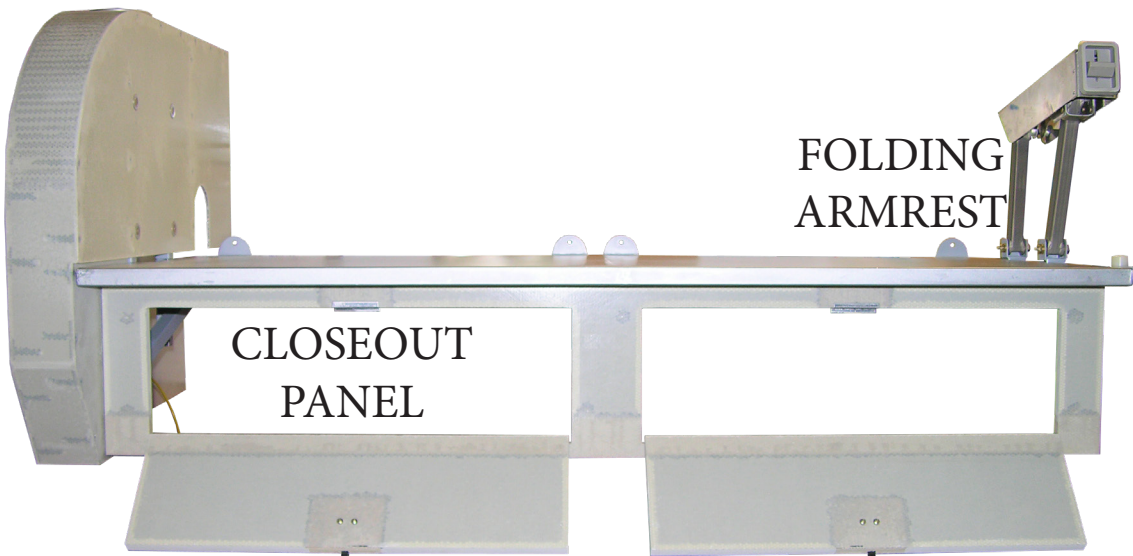
Encore Divan only offers
close out panels

DRAWERS

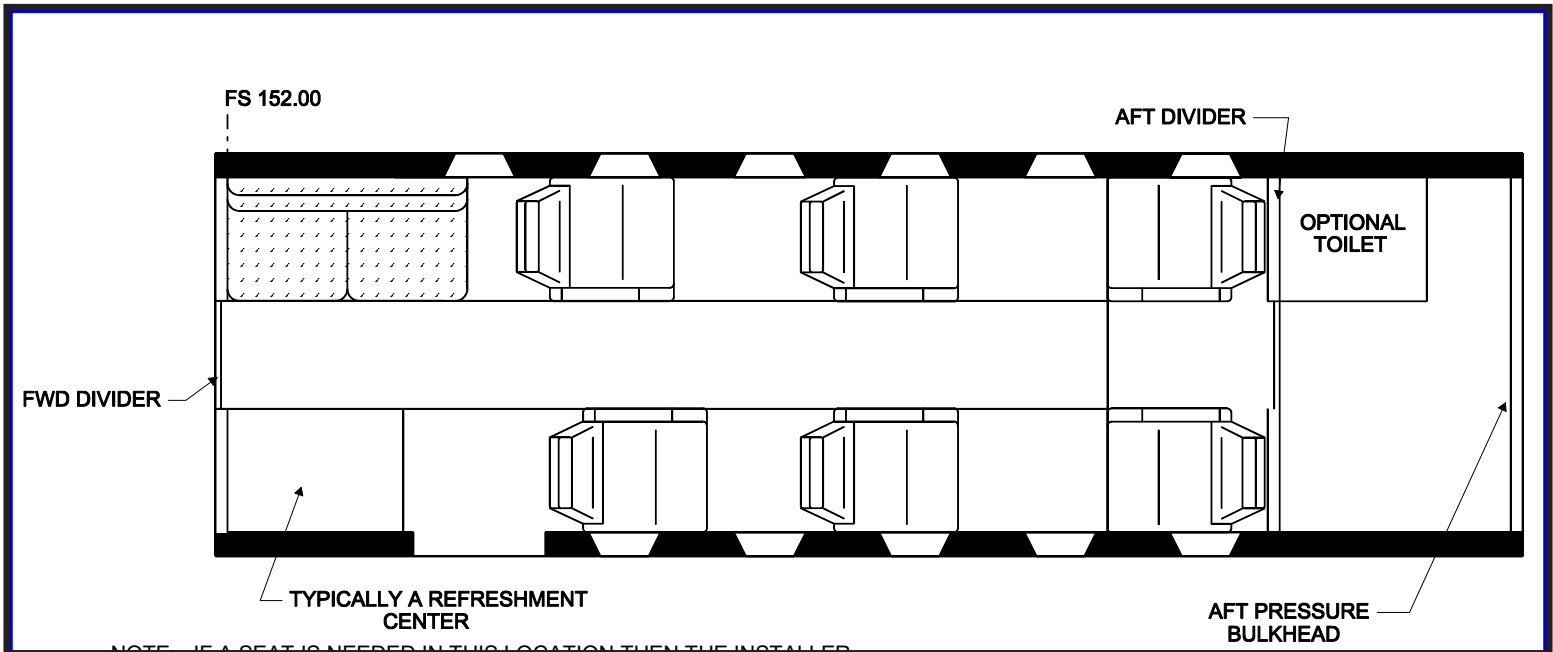
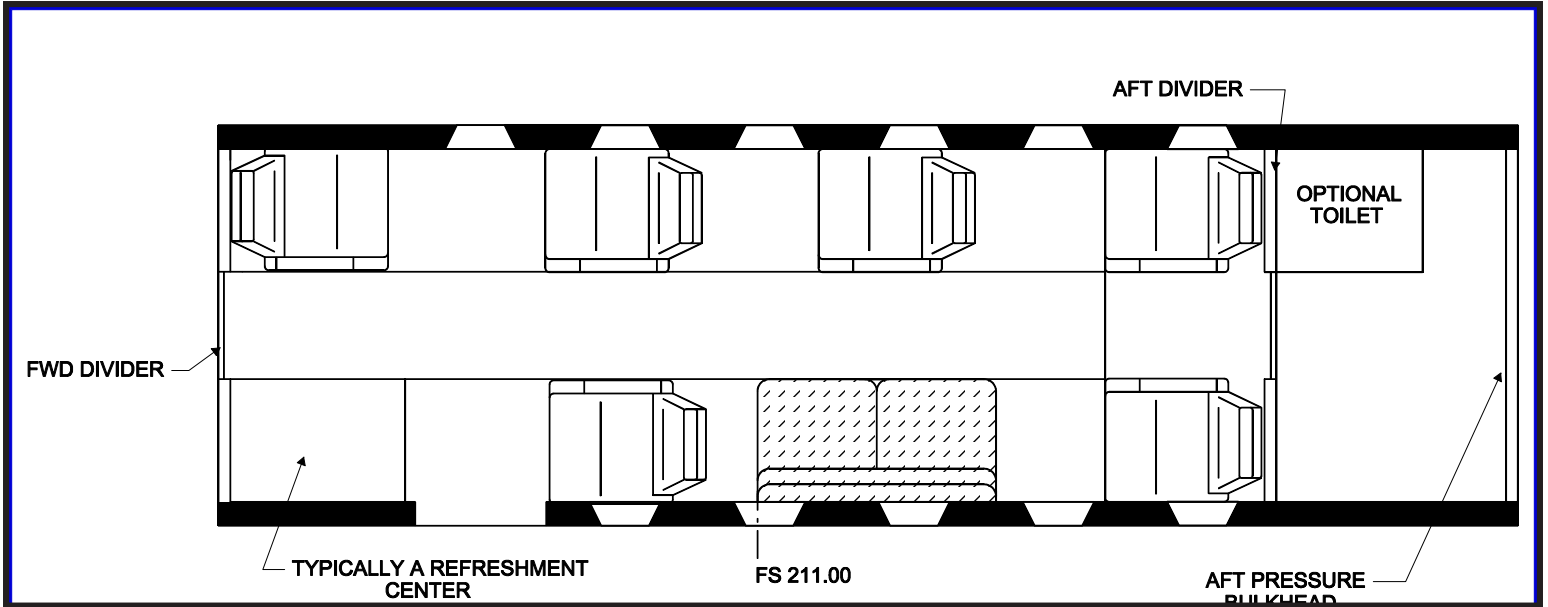


FOLDING
ARMREST

CLOSEOUT
PANEL



FLOOR PLANS



NOTE: IF A SEAT IS NEEDED IN THIS LOCATION THEN THE INSTALLER

Description: AvFab's 2-Place Divan for the Cessna Citation is used world-wide due to its comfort and affordability. While staying a fraction of the OEM cost, our 2-Place divan can be occupied in all phases of flight including take-off and landing. This allows accommodation for an additional passenger. Divan is delivered in "green" ready to be finished condition.

Model: 500, 501, 550, 551, Bravo, S550, 560, 650, Encore

Options: Folding Armrest, Plug-In Armrest, Armbox, Composite Close-Out Panels With Doors or Composite Drawers, and Inertia Reel Shoulder Harnesses. (Armrests not available on Encore)

Features: Includes - seat belts, machined foot design, installation instructions, STC, etc. Quick disconnect is frame mounted, no need for airframe modification.

Approvals: Federal Aviation Administration Parts Manufacture Approval (PMA) and Supplemental Type Certificate (STC). This eliminates the need for field approval.

STC: ST01139WI, SA4045SW, ST01262WI

Brazil: 2002S12-02, 2002S12-03, 2002S12-04

CANADA: C-21-0658 (Encore), SA95-107 (500, 550, S550, 560)

EASA: EASA.IM.A.S.02168 (Encore), EASA.IM.A.S.0207 (650)

EASA/Austria: FL112-5/120-04 (Encore), ACG.21NE.094

EASA/Switzerland: 274.02 (Not Encore)

Installation: No airframe modification is required other than removing the existing seats and furnishings, and sliding the new divan onto original seat rails (complete installation instructions, diagrams, and weight and balance information are included in the kit). A seat track drilling tool is included, if needed. In the Encore kit, included seat track install requires 10 hours.

3-PLACE DIVAN



OPTIONS

ARMBOX WITH
CUPHOLDERS



DRAWERS

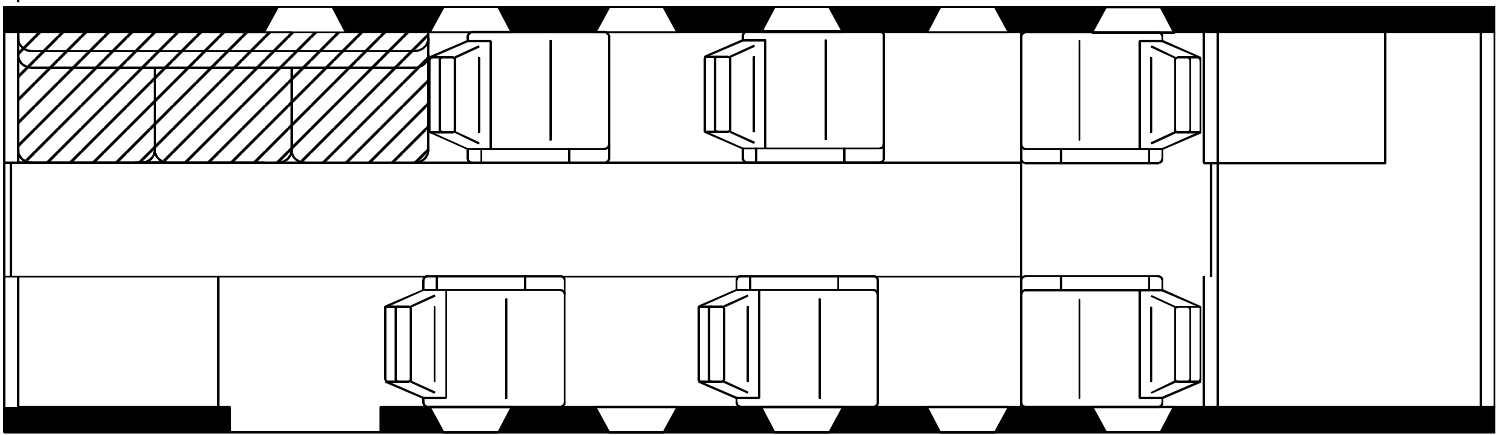
FOLDING
ARMREST



CLOSEOUT
PANEL

FLOOR PLANS

FS XXXXX



- *The basic weight of the divan = 30 lbs (with belts)**
- *Add 5 lbs per Drawer**
- *Add 10 lbs for Close Out Panel**
- *Add 1.5 lbs per Armrest**
- *Add 3 lbs for Arm Box (not including armrest)**

Description: AvFab's 3-Place Divan for the Cessna Citation is used world-wide due to its comfort and affordability. While staying a fraction of the OEM cost, our 3-Place divan can be occupied in all phases of flight including take-off and landing. This allows accommodation for an additional passenger. Divan is delivered in "green" ready to be finished condition.

Model: 500, 501, 550, 551, Bravo, S550, 560, 650

Options: Folding Armrest, Plug-In Armrest, Armbox, Composite Close-Out Panels With Doors or Composite Drawers, and Inertia Reel Shoulder Harnesses.

Features: Includes - seat belts, machined foot design, installation instructions, STC, etc. Quick disconnect is frame mounted, no need for airframe modification.

Approvals: Federal Aviation Administration Parts Manufacture Approval (PMA) and Supplemental Type Certificate (STC). This eliminates the need for field approval.

STC: ST01139WI, SA4045SW, ST01262WI

Brazil: 2002S12-02, 2002S12-03, 2002S12-04

CANADA: SA95-107 (500, 550, S550, 560)

EASA: EASA.IM.A.S.0207 (650)

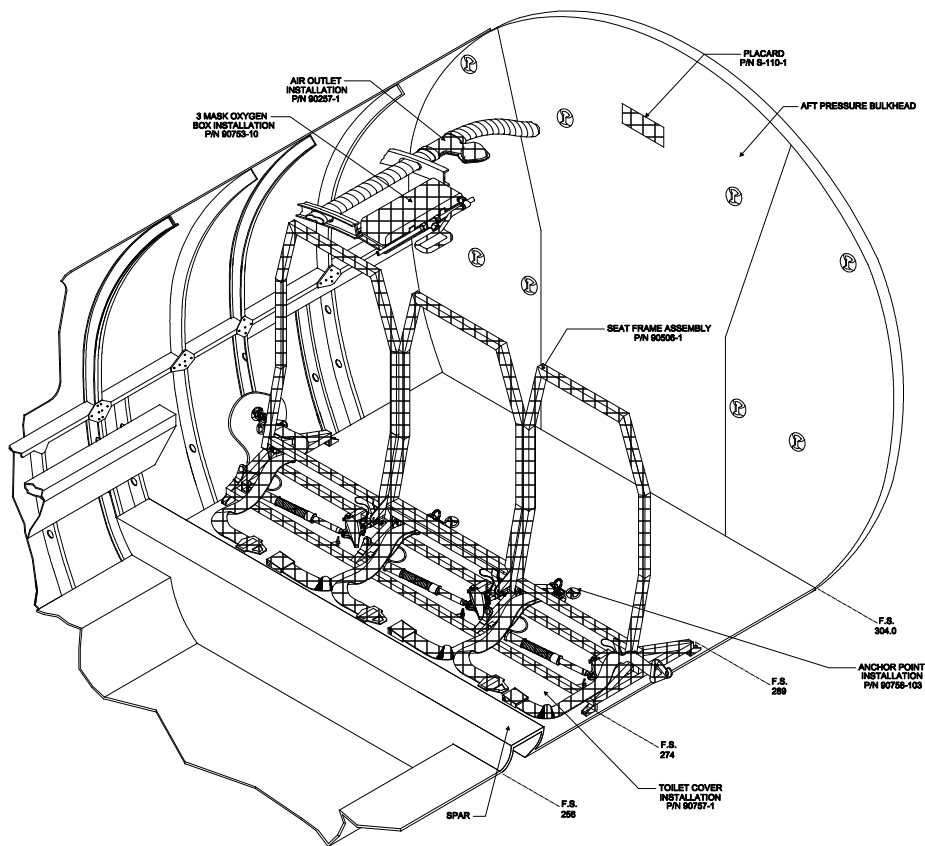
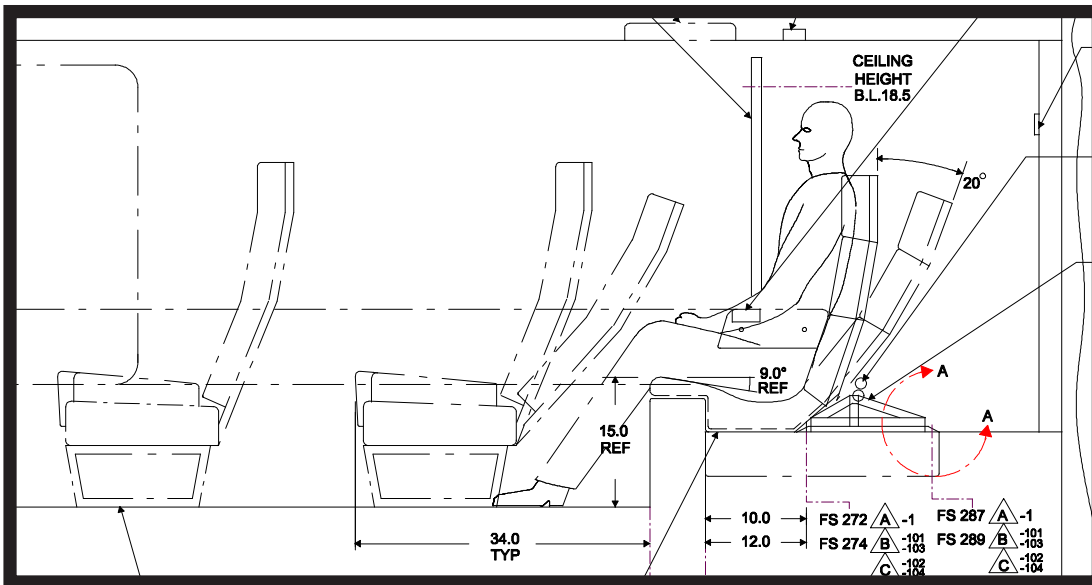
EASA/Austria: ACG.21NE.094

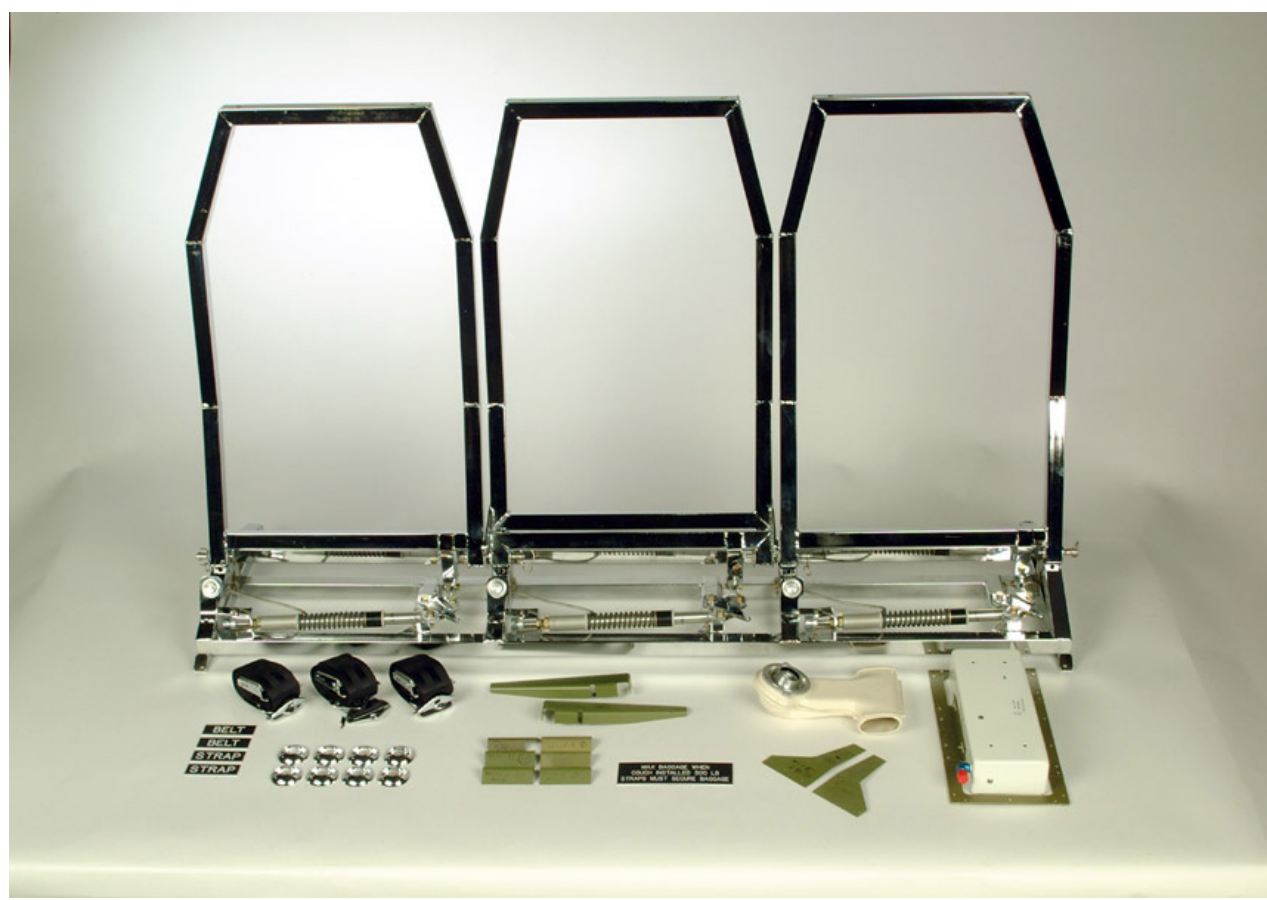
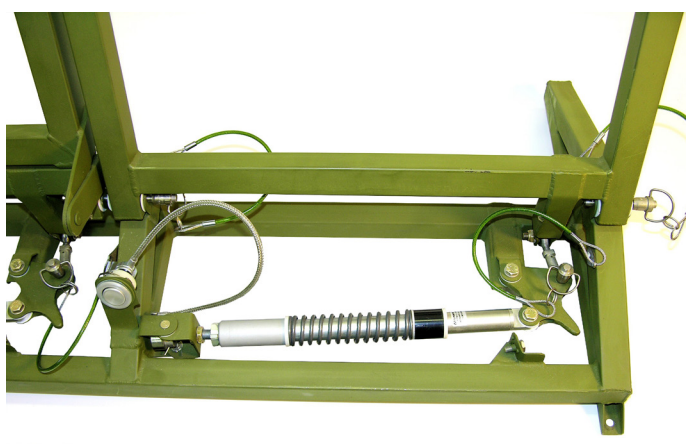
EASA/Switzerland: 274.02

Installation: No airframe modification is required other than removing the existing seats and furnishings, and sliding the new divan onto original seat rails (complete installation instructions, diagrams, and weight and balance information are included in the kit). A seat track drilling tool is included, if needed.

AFT DELUXE







Description: AvFab's Aft Deluxe divan increases the length of the cabin and opens up the floorplan dramatically, all while increasing the maximum seating capacity. AvFab has the only FAA approved solution for spacing out the Citation cabin. Divan is delivered in "green" ready to be finished condition.

Model: 500, 501, 550, 551, Bravo, S550

Features:

- All seats individually recline 20 degrees
- Center Seat folds for easy access to aft storage
- Can be used instead of existing aft cabin seats
- Allows for 20 inches of storage space behind the divan

Approvals: Federal Aviation Administration Parts Manufacture Approval (PMA) and Supplemental Type Certificate (STC). This eliminates the need for field approval.

STC: SA58RM, SA117RM

Canada: C-06-0684 (500, 550)

Installation: While the process is different for the different models, an estimated 80 hours are required. The kit includes all parts needed for installation including oxygen masks for the 3 passengers, air vents, hardware, quick-change components, placards.



AVIATION FABRICATORS

805 N FOURTH ST.

CLINTON, MO 64735

(660) 885 - 8317

SALES@AVFAB.COM