

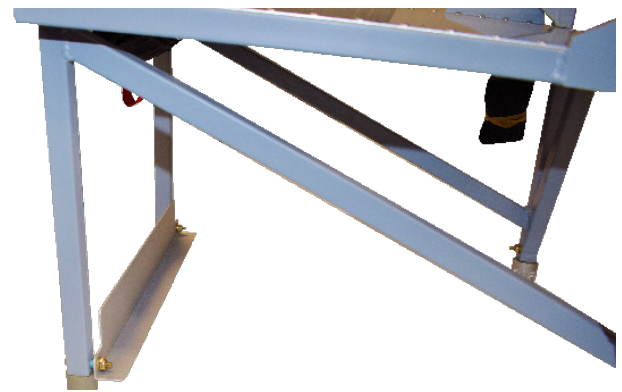
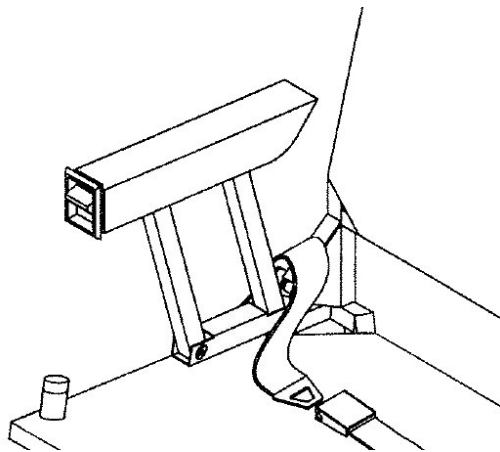
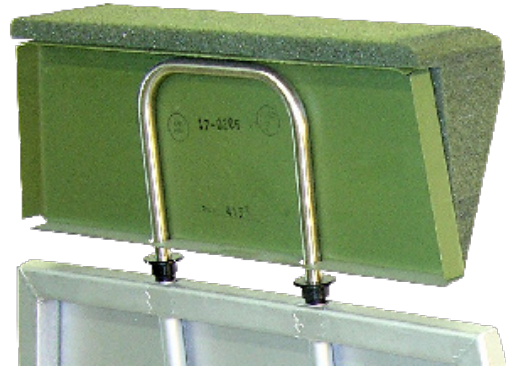
King Air High Density Seats



ECONO SEAT



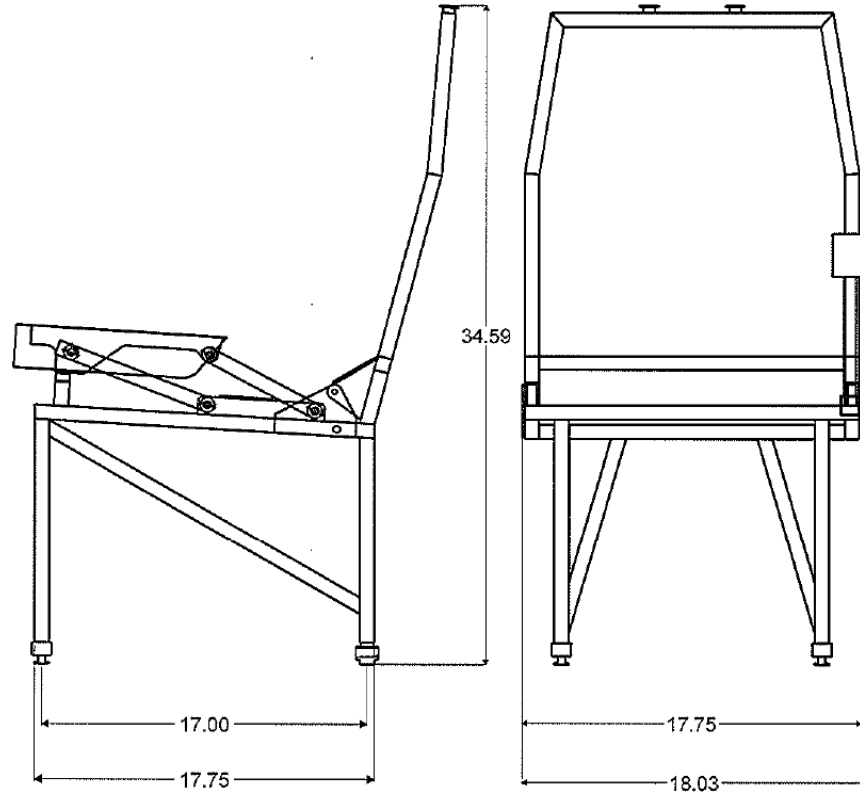
SEAT OPTIONS



Sample colors, more available.

With the Econo seat AvFab offers optional Headrests, Underseat Storage Bars, Armrests, and Upholstery.

DIMENSIONS



GREEN CONDITION



Description: AvFab's King Air Econo Seat is our sleek, airline style, high density commuter seat that allows for up to 9 passengers in a King Air 200 and 11 passengers in a B300. The seats are extremely robust and are being used world-wide in the most demanding conditions and environments. Weighing only 22lbs, their strength to weight ratio is unmatched. No requests for spare parts or repairs have been made. Delivered in "green" ready to be finished condition. Upholstery is available.

Model: All King Air Models (except 90 series)

Options: Headrest, Armrest, Underseat Storage Bar, Leather Upholstery

Features: Includes - seat, lap belt, life vest pouch, life vest, and cushions. Various floor plans are available.

Approvals: Federal Aviation Administration Parts Manufacture Approval (PMA) and Supplemental Type Certificate (STC). This eliminates the need for field approval.

STC: SA2774CE, SA2775CE, SA2776CE, SA2777CE

BRAZIL: 2019S12-10 (200 & 300 Series)

CANADA: C13-0259, SA16-39 (99, 100, B300, B300C)

CHINA: VSTC0744 (B300 & B300C)

EASA: 10032446 (200 & 300 Series)

INDIA: 07-11/07-RD (part I) Vol-II (B200GT)

NIGERIA: P.M.B. 21029, 21038 (200 & 300 Series)

MEXICO: IA-294/2014 (200 & 300 Series)

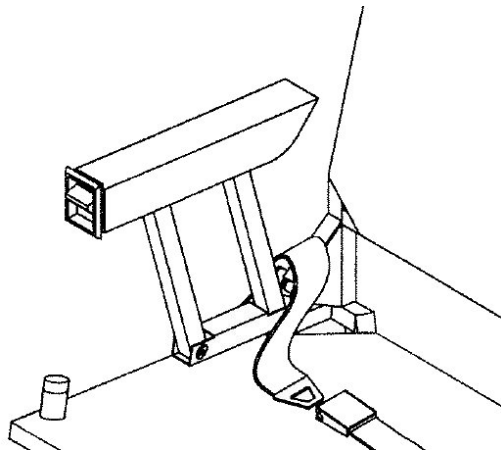
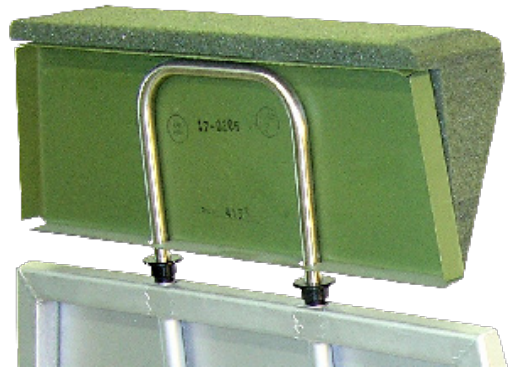
RUSSIA: CT80-300 (B300 & B300C)

Installation: No airframe modification is required other than removing the existing seats and furnishings, and sliding the new high density seats onto original seat rails (complete installation instructions, diagrams, and weight and balance information are included in the kit). On some models, a table plug is recommended for aesthetic purposes.

TRAVELER SEAT



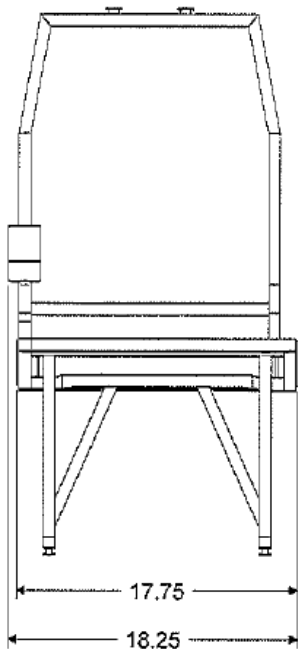
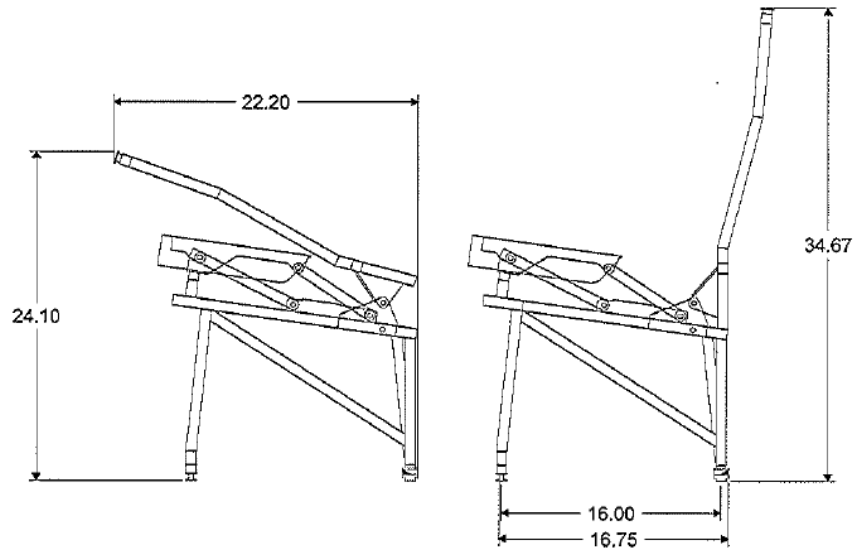
SEAT OPTIONS



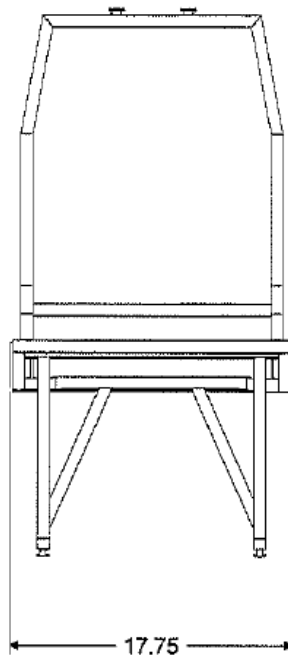
Sample colors, more available.

With the Traveler seat AvFab offers optional Headrests, Underseat Storage Bars, Armrests, and Upholstery.

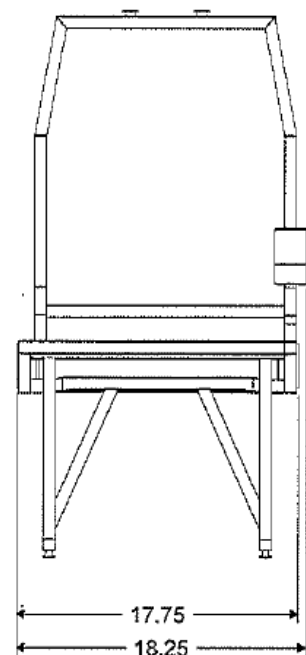
DIMENSIONS



LH BACK TRAVELER SEAT
W/ ARMREST
P/N 32-0373

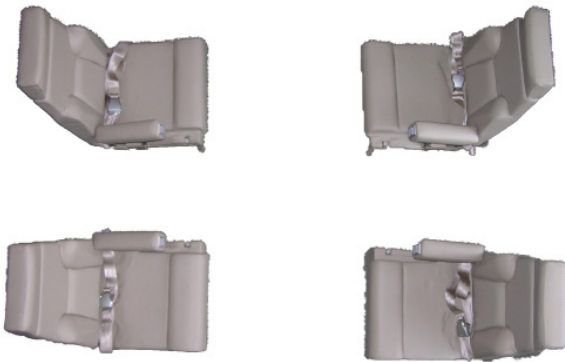
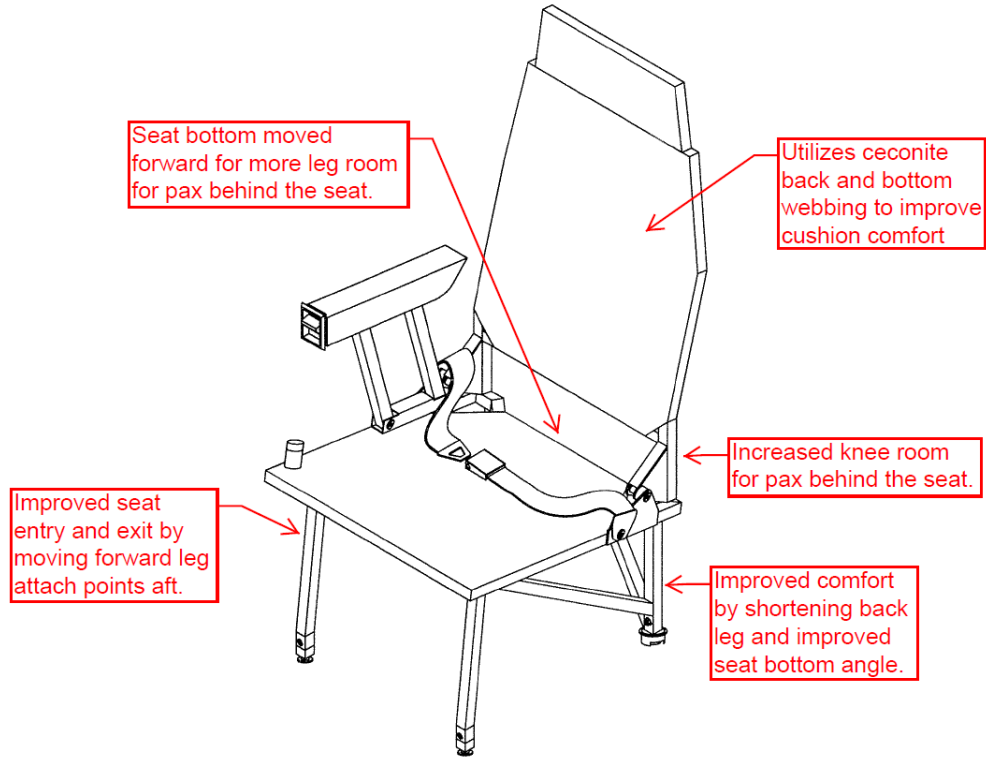


CENTER BACK TRAVELER SEAT
W/OUT ARMREST
P/N 32-0369



RH BACK TRAVELER SEAT
W/ ARMREST
P/N 32-0372

SEAT FEATURES



AvFab's Traveler seat is approved for club seating floorplans.



Single and Double clubs are STC approved.

GREEN CONDITION



Description: AvFab's Traveler Seat is engineered for lightweight durability, affordability, and maximum capacity. It was designed to enhance the ease of occupant ingress and egress, by increasing leg, knee, and foot room. The seats are extremely robust and are being used world-wide in the most demanding conditions and environments. Weighing only 22lbs, their strength to weight ratio is unmatched. No requests for spare parts or repairs have been made. Delivered in "green" ready to be finished condition. Upholstery is available.

Model: All King Air Models

Options: Headrest, Armrest, Underseat Storage Bar, Leather Upholstery

Features: Includes - seat, lap belt, life vest pouch, life vest, and cushions. Various floor plans are available for both forward and aft-facing Traveler seats.

Approvals: Federal Aviation Administration Parts Manufacture Approval (PMA) and Supplemental Type Certificate (STC). This eliminates the need for field approval.

STC: SA2774CE, SA2775CE, SA2776CE, SA2777CE

BRAZIL: 2019S12-10 (200 & 300 Series)

CANADA: C13-0259, SA16-39 (99, 100, B300, B300C)

CHINA: VSTC0744 (B300 & B300C)

EASA: 10032446 (200 & 300 Series)

INDIA: 07-11/07-RD (part I) Vol-II (B200GT)

NIGERIA: P.M.B. 21029, 21038 (200 & 300 Series)

MEXICO: IA-294/2014 (200 & 300 Series)

RUSSIA: CT80-300 (B300 & B300C)

Installation: No airframe modification is required other than removing the existing seats and furnishings, and sliding the new high density seats onto original seat rails (complete installation instructions, diagrams, and weight and balance information are included in the kit). On some models, a table plug is recommended for aesthetic purposes.

GT SEAT



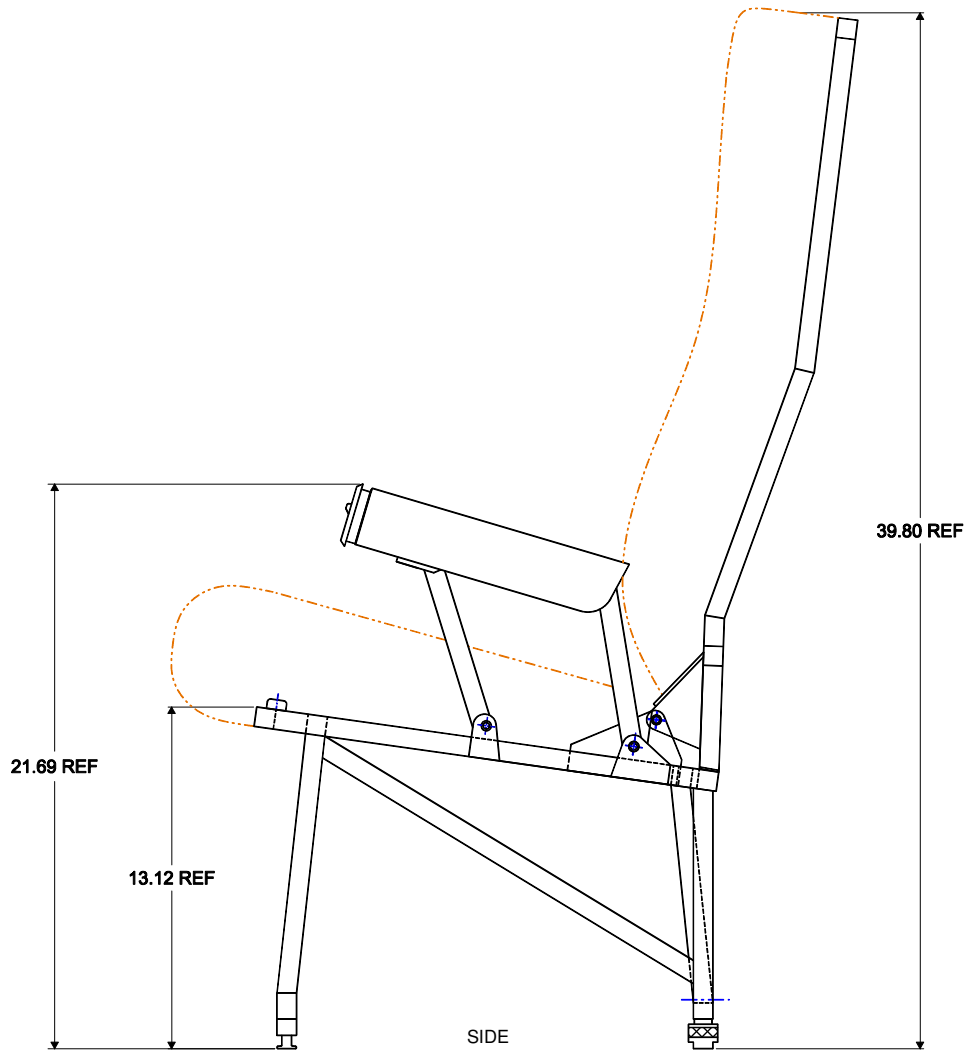
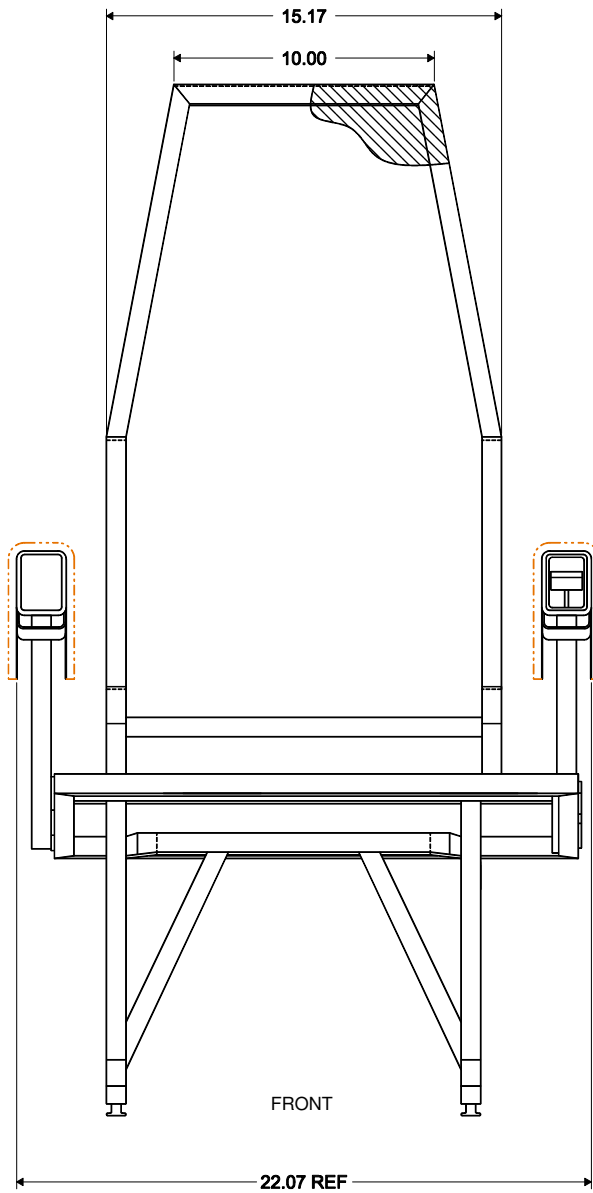
SEAT OPTIONS



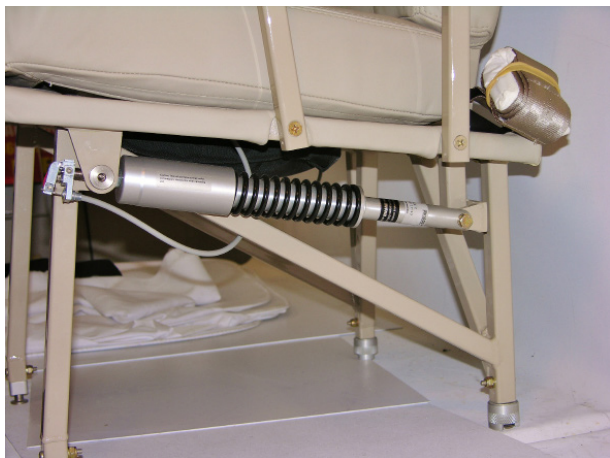
AvFab's Globetrotter can recline 57 degrees from vertical.

With the Globetrotter seat AvFab offers optional Headrests, Armrests, Underseat Storage Bars, Recline Capability and Upholstery.

DIMENSIONS



DETAILS



GREEN CONDITION



Description: AvFab's Globetrotter (GT) is a hybrid between the OEM seat and a classic high density seat. It allows for near maximum capacity, while retaining executive trim and functions. It promotes high comfort while insuring AvFab's signature durability. No requests for spare parts or repairs have been made. Delivered in "green" ready to be finished condition. Upholstery is available.

Model: All King Air Models

Options: Headrest, Armrest, Underseat Storage Bar, Recline Capability, Custom Arm Rest Plate, Leather Upholstery

Features: Includes - seat, lap belt, life vest pouch, life vest, and cushions. Various floor plans are available for both forward and aft-facing GT seats.

Approvals: Federal Aviation Administration Parts Manufacture Approval (PMA) and Supplemental Type Certificate (STC). This eliminates the need for field approval.

STC: SA2774CE, SA2775CE, SA2776CE, SA2777CE

BRAZIL: 2019S12-10 (200 & 300 Series)

CANADA: C13-0259, SA16-39 (99, 100, B300, B300C)

CHINA: VSTC0744 (B300 & B300C)

EASA: 10032446 (200 & 300 Series)

INDIA: 07-11/07-RD (part I) Vol-II (B200GT)

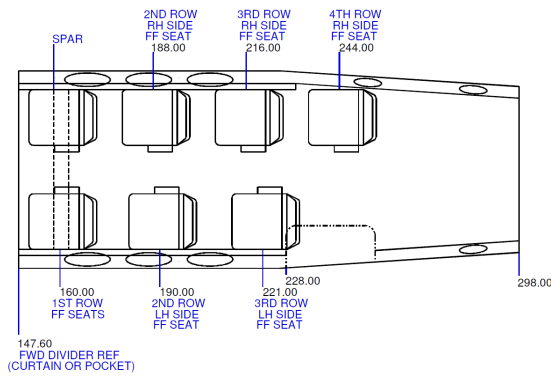
NIGERIA: P.M.B. 21029, 21038 (200 & 300 Series)

MEXICO: IA-294/2014 (200 & 300 Series)

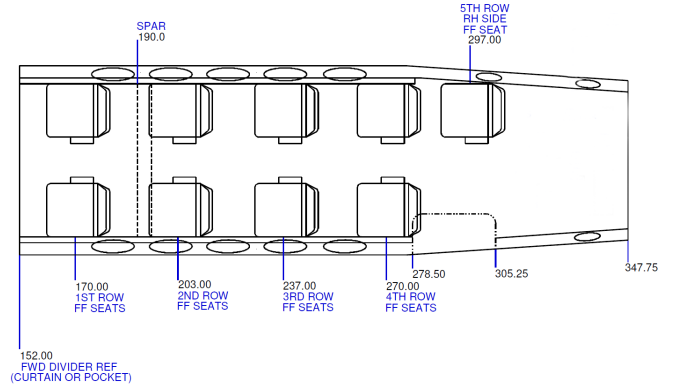
RUSSIA: CT80-300 (B300 & B300C)

Installation: No airframe modification is required other than removing the existing seats and furnishings, and sliding the new high density seats onto original seat rails (complete installation instructions, diagrams, and weight and balance information are included in the kit). On some models, a table plug is recommended for aesthetic purposes.

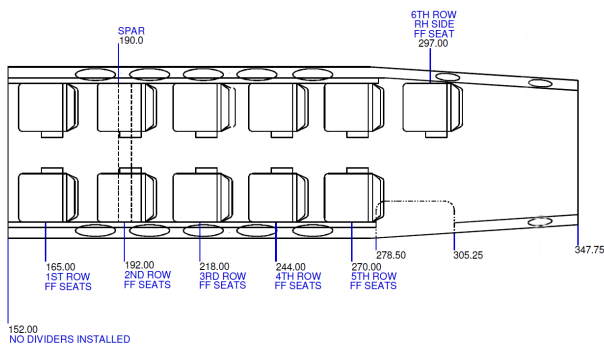
FLOOR PLANS



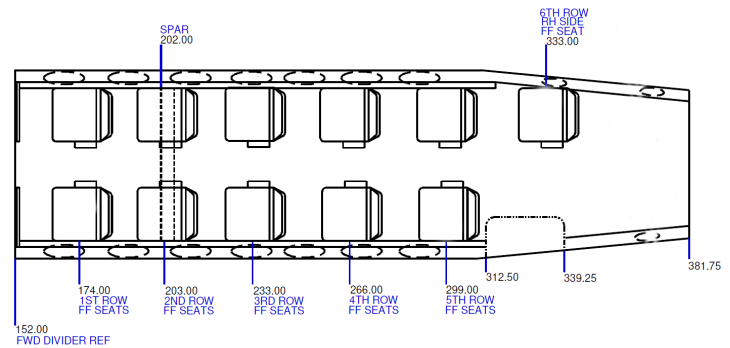
7 Passenger 90 Series
(Traveler)



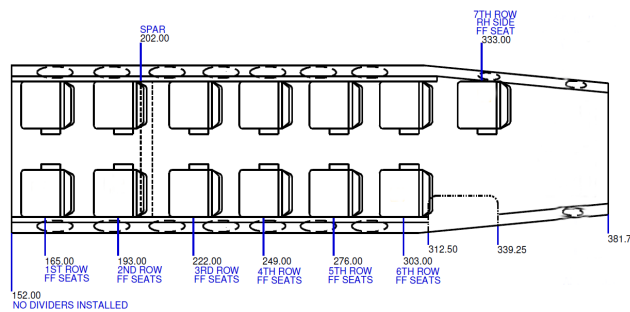
9 Passenger 200 Series
(Econo, Traveler, GT)



11 Passenger 200 Series
(Traveler)



11 Passenger 300 Series
(Econo, Traveler, GT)

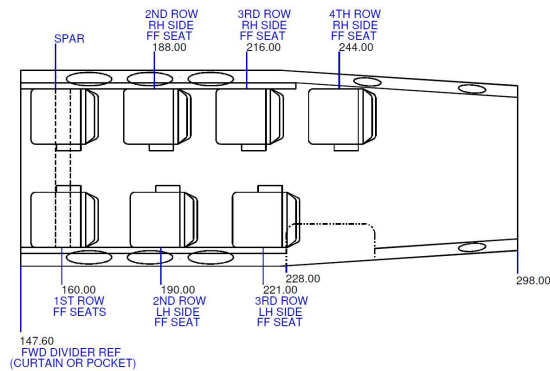


13 Passenger 300 Series
(Traveler)

More Floorplans Available.

KING AIR 90 WEIGHT SAVINGS

Beechcraft King Air Weight Savings Chart Conversion to AvFab Airline Style High Density Seating



King Air 90 Series **7 PAX Floor Plan**

Remove

Factory Seats (4 X 38 lbs.)	-152 lbs.
RH Forward Pyramid	-28 lbs.
Table (2 X 10 lbs.)	-20 lbs.
Jepp Chart Holder (2 X 7 lbs.)	-14 lbs.
Side Facing Cabinet Seat	<u>-35 lbs.</u>
TOTAL	-249 lbs.

Install

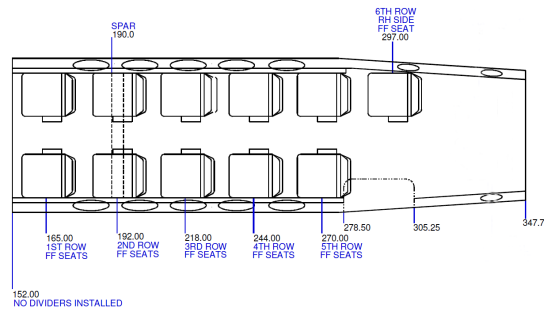
New Airline Style Seats (7 X 25 lbs.)	175 lbs.
---------------------------------------	----------

Net Weight Savings -74 lbs.



KING AIR B200 WEIGHT SAVINGS

Beechcraft King Air Weight Savings Chart (in lbs.) Conversion to AvFab Airline Style High Density Seating



King Air 200 Series 11 Seat Floor Plan

Remove

Factory Seats (5 X 38.5)	-192.0
Forward Pocket Dividers (2 X 22.5)	-45.0
LH Forward Galley	-54.0
Storage Pyramid Cabinet	-24.5
Table (2 X 12.5)	-25.0
Short Pyramid Divan Armrest	-20.0
2 Place Divan w Closeout drawers	-31.0
Side Facing Toilet	-40.5
Jepp Chart Holder (2 X 4)	-8.0
Aft Pocket Dividers (2 X 22.5)	-45.0
TOTAL	-485.0

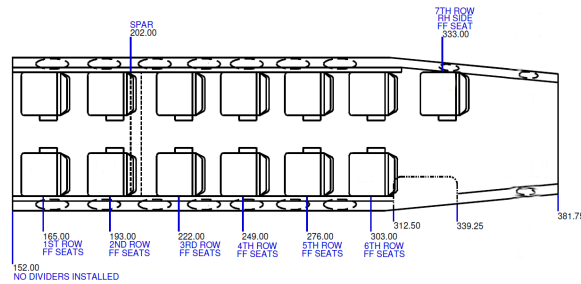
Install

New Airline Style Seats (11 X 25.0)	275.0
Net Weight Savings	-210.0



KING AIR B300 WEIGHT SAVINGS

Beechcraft King Air Weight Savings Chart Conversion to AvFab Airline Style High Density Seating



King Air 350

13 PAX Floor Plan

Remove

Factory Seats (8 X 55 lbs.)	-440 lbs.
LH Forward Galley	-56 lbs.
Tables (4 X 18 lbs.)	-72 lbs.
A Frame Pyramid (2 X 24 lbs.)	-48 lbs.
Side Facing Toilet	-47 lbs.
Aft Pocket Divider (2 X 22 lbs.)	<u>-44 lbs.</u>
TOTAL	-707 lbs.

Install

New Airline Style Seats (13 X 25 lbs.) 325 lbs.

Net Weight Savings -382 lbs.





AVIATION FABRICATORS

805 N FOURTH ST.

CLINTON, MO 64735

(660) 885 - 8317

SALES@AVFAB.COM