

King Air Aft Jump Seats



INSTALLED



“GREEN” CONDITION

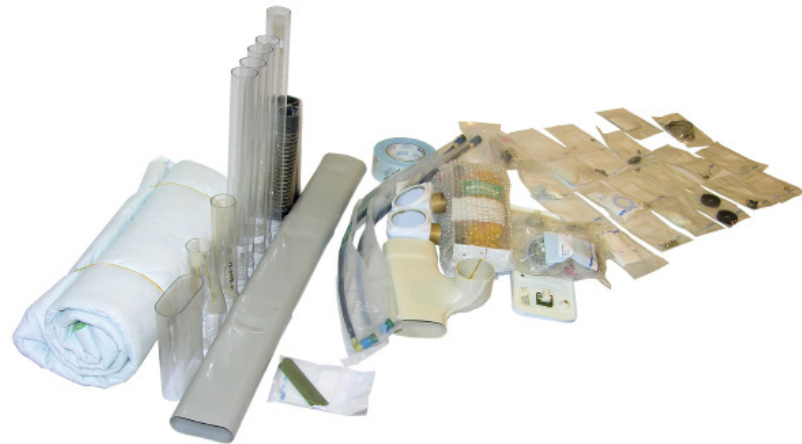


INSTALLATION



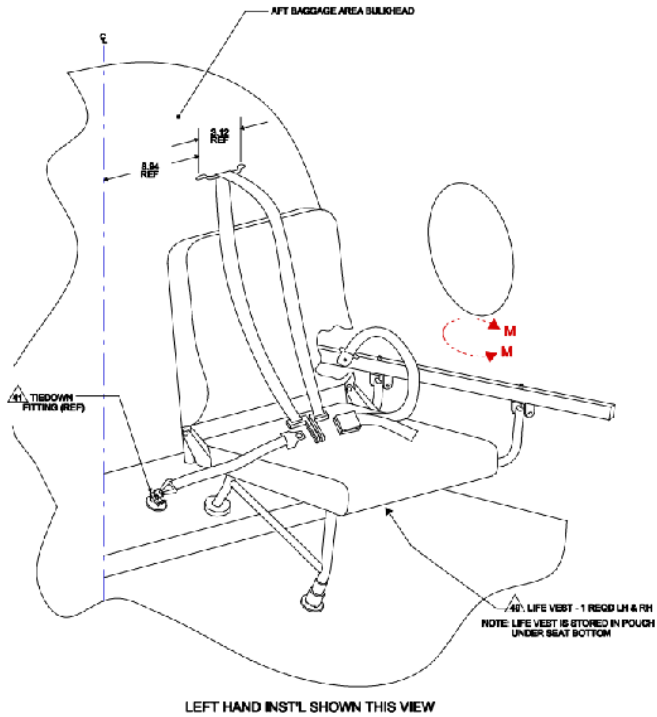
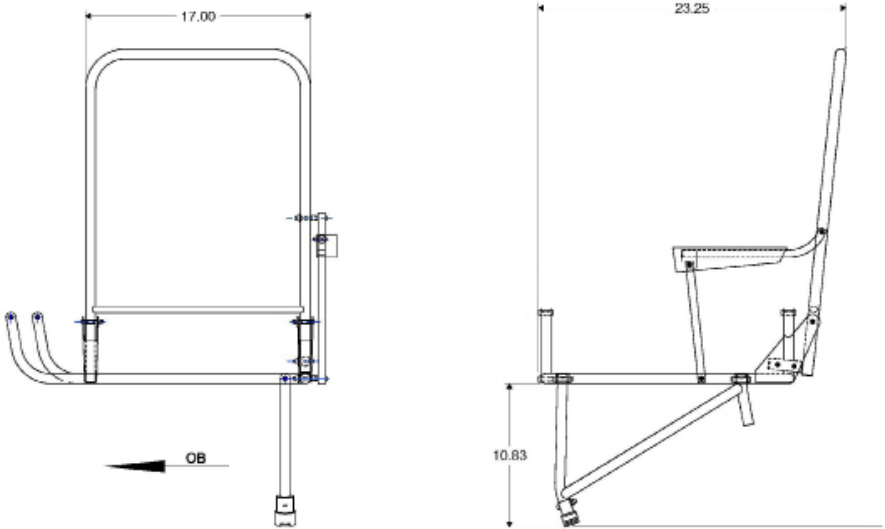
Install Kit

Oxygen, Airvent, and
Light Kit

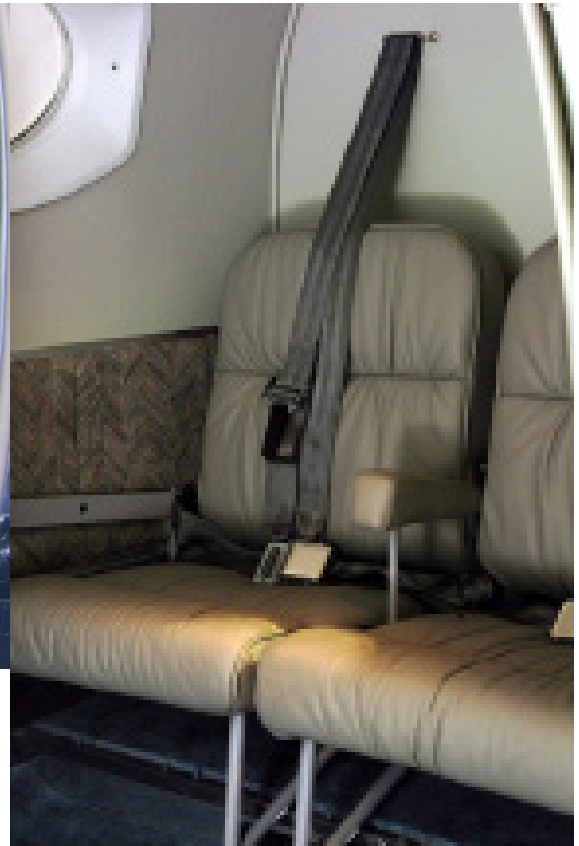


Leather Options
(others available)

LINE DRAWINGS



INSTALLED CONT.



Description: AvFab's King Air Aft Jump Seat allows for 1 or 2 additional passengers (depending on customer need). The seat conveniently folds up out of the way for use of baggage compartment. Seat is delivered in "Green" ready to be finished condition.

Model: All King Air Models

Options: Right Hand or Left Hand side singles, Doubles, optional upholstery is available on request.

Features: Includes - seats, complete restraint system, floor board if needed, all fittings, brackets, hardware, life vests overhead lights, vents, oxygen drop down, comprehensive installation instructions and STC.

Approvals: Federal Aviation Administration Parts Manufacture Approval (PMA) and Supplemental Type Certificate (STC) This eliminates the need for field approval.

STC: SA00635WI

ARGENTINE: CTS 1609-26 (A) (B200GT & B200CGT)

BRAZIL: 2005S12-02

CANADA: C-14-0155

CHINA: VSTC0745 (B300 & B300C)

EASA: 10042580 (All Except 90)

INDIA: 07-11/07-RD (part I) Vol-II (B200GT)

ITALY: N-CS-062 (200, B200, B200C)

MEXICO: IA-245/2014

RUSSIA: CT80-300 (B300 & B300C)

Installation: The Aft Jump Seat installation normally takes 70 to 80 hours depending on the experience of the technician. The time is the same for a double or single seat installation.



AVIATION FABRICATORS

805 N FOURTH ST.

CLINTON, MO 64735

(660) 885 - 8317

SALES@AVFAB.COM