

**Aviation Fabricators Inc.
805 North Fourth Street
Clinton, MO. 64735**

INSTRUCTIONS FOR CONTINUED AIRWORTHINESS

for
Table Installation Kit

Document No.: AF-440

Revision "B"

Revision Date: 11-12-12

Applicable to:

Hawker Beechcraft 1900D

Modified by FAA STC SA01574WI

The information in the Instruction for Continued Airworthiness is FAA accepted material and complies with 14 CFR 23.1529, Instructions for Continued Airworthiness. It supersedes or adds to that provided in the Maintenance Manual for the Hawker Beechcraft 1900D Aircraft, only where covered in the items contained herein. For limitations and procedures not contained in the Supplement, consult the Component Maintenance Manual, or other approved airplane data.

REVISION PAGE

Document Title: Instructions for Continued Airworthiness

Prepared By: Todd Pogue

Log of Revisions				
REV. NO.	EFFECTED PAGE(S)	DESCRIPTION	DATE	APPROVED BY
Orig. Issue	All	Initial Release	03/30/09	Joseph B. Dwerlkotte
A	All	Updated form layout, Part 23 rqmts.	05/06/09	JRL
B	All	*Added STC number in two locations on page 4 *Added Section 11, Troubleshooting, p7 *Updated Section 10 with latest layout, p7	11/12/12	JRL

Per the requirement of Appendix G of 14CFR Part 23 paragraph G23.1 (c), the changes made to the ICA by the applicant will be distributed via mail by means of paper copy.

TABLE OF CONTENTS

DESCRIPTION	PAGE
INSTRUCTIONS FOR CONTINUED AIRWORTHINESS.....	1
REVISION PAGE	2
TABLE OF CONTENTS	3
1.0 INTRODUCTION.....	4
2.0 INSPECTION REQUIREMENTS AND OVERHAUL SCHEDULE	5
3.0 DIMENSION AND ACCESS:.....	5
4.0 LIFTING AND SHORING	5
5.0 LEVELING AND WEIGHING.....	6
6.0 TOWING AND TAXIING.....	6
7.0 PARKING AND MOORING	6
8.0 PLACARDS AND MARKINGS	6
9.0 SERVICE INFORMATION	6
10.0 AIRWORTHINESS LIMITATIONS	7
11.0 TROUBLESHOOTING	7

1.0 INTRODUCTION

The purpose of this Maintenance Manual Supplement and Instructions for Continued Airworthiness (ICA) is to provide the maintenance technician with the information necessary to ensure the continued airworthiness of the Aviation Fabricators table installation, per installation numbers 32-0368K, when installed in accordance with Aviation Fabricators design data included on Data List AF-436 and per Supplement Type Certificate (STC) SA01574WI.

Modifications to an aircraft obligates the operator to include the maintenance information provided by this document into the operators aircraft Maintenance Manual and operator's aircraft scheduled maintenance program. This document defines supplementary maintenance operations and frequencies recommended by Aviation Fabricators Inc., to ensure the aircraft's airworthiness.

The information contained herein addresses the requirements specified in 14CFR 23.1529, Instructions for Continued Airworthiness and supplements the basic Airplane Maintenance Manual only in those areas listed as pertains to the installation of the table assemblies, as installed per the Aviation Fabricator Data List AF-436. For limitations and procedures not contained in this supplement, consult the basic Airplane Maintenance Manual.

DATA

All information to support the continued airworthiness of this modification is contained in:

STC SA01574WI

STC Data List: AF-436 Rev. B or later approved revision.

The installation of the new table kit does not change the dimensions of the aircraft or alter the access to any existing aircraft system. The tables are stand alone installations that required a new intercostal to be attached to the bulkhead frames at the top of the table and uses typical hold down fittings to attach the bottom of the table to the sidewall seat track. Reference Figure 1.0.

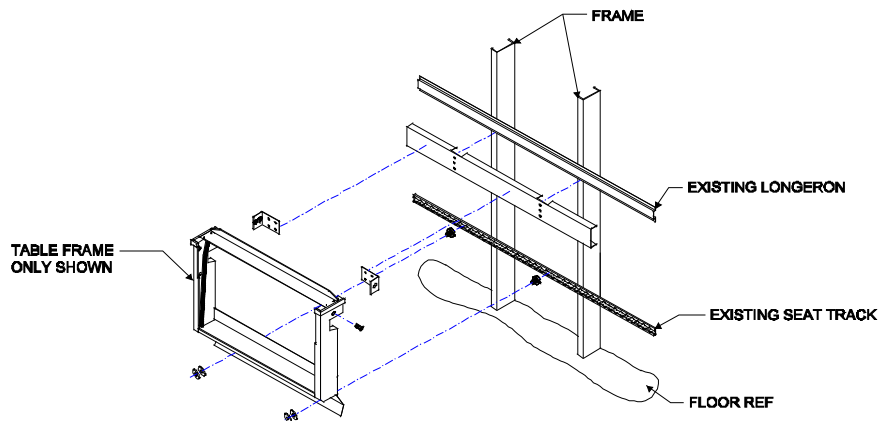


Figure 1.0

2.0 INSPECTION REQUIREMENTS AND OVERHAUL SCHEDULE

1. To comply with 14CFR Part 23.1529, continue the new table installation kit on the same inspection and maintenance schedule used per the Hawker Beechcraft Maintenance Manual for cabinetry.

Annual and/or 100 hour inspection

1. The modified systems require no service other than inspection at normal inspection intervals.

Table 2.0

Task Code			Schedule	Date	Mech	Insp
AFI-100	a.	Inspect for damage to table finish and table upholstery.				
AFI-102	b.	Inspect table frame for damage, and corrosion.				
AFI-103	c.	Check operation of table assembly.				
AFI-104	d.	Check operation of table frame assembly.				

3.0 DIMENSION AND ACCESS:

The installation of the new table kit does not change the dimensions of the aircraft or alter the access to any existing aircraft system. The tables are stand alone installations that required a new intercostal to be attached to the bulkhead frames at the top of the table and uses typical hold down fittings to attach the bottom of the table to the sidewall seat track.

To remove the table from the sidewall, remove one screw from each side of the table frame that attaches it to "L" brackets at the top of the table and unscrew the knurled nuts of the hold down fitting at the bottom of the table. Then pull table inboard away from the aircraft side wall. Refer to Figure 1.0.

4.0 LIFTING AND SHORING

No change.

5.0 LEVELING AND WEIGHING

No change.

6.0 TOWING AND TAXIING

No change.

7.0 PARKING AND MOORING

No change.

8.0 PLACARDS AND MARKINGS

Only (1) placard is required in conjunction with this modification:

1. For the table installation, placard part number 32-0343-16 must be installed just above the table assembly on the window panel.

TABLE MUST BE IN STOWED POSITION DURING TAKEOFF AND LANDING

9.0 SERVICE INFORMATION

Installation: STC Data List: AF-436 Rev. B or later approved revision.
Drawing D-10579 for p/n 32-0368K

Parts: Refer to 32-0368K and respective drawings as listed on STC data list
AF-436.

Typical Table Service Instructions:

Table and Table Upholstery Cleaning:

1. Typically only a soft cloth dampened with water is necessary to clean table assembly.
2. If table has a high gloss finish, if desired, use a high quality auto wax that does not contain silicone to shine table assembly.
3. Clean fabric with Armour All fabric cleaner or equivalent.
4. Clean leather with Armour All leather cleaner or equivalent.

10.0 AIRWORTHINESS LIMITATIONS

The Airworthiness Limitations section is FAA approved and specifies maintenance required under Sec. 43.16 and 91.403 of the Federal Aviation Regulations unless an alternative program has been FAA approved.

There are no Airworthiness Limitations to the aircraft with the addition of the table assembly installed by this STC.

11.0 TROUBLESHOOTING

Refer to the existing Aircraft Maintenance Manual for troubleshooting the table installation that is required beyond the information found on the installation drawings D-10579.

For replacement parts or repair of damage parts:

Contact Aviation Fabricators at (660) 885-8317.

Troubleshooting this installation should only be accomplished by FAA approved repair stations with the appropriate ratings or appropriately rated operator/individuals, with required test equipment and service data.