

King Air Econo Seat





Econo Seats Details

Description: The "Econo" Seat is our attractive Airline Style, High Density Commuter seat that allows you to get the maximum seating capacity in any King Air (contact us for your specific floor plan options) at the best value. The seats are very robust, in fact, we are not aware of a single structural failure of an AvFab Econo Seat. That's especially impressive when considering they are in world-wide service in extremely demanding conditions and difficult environments including Special Missions. Despite being so robust, they are very lightweight (weighs only 22-25 lbs. depending on options) when compared to OEM. Delivered in "green" condition without upholstery. Upholstery is available.

Models: Beechcraft King Air 90, 100, 200, 300, 350, 350i

FAA / STC: SA2774CE, SA2775CE, SA2776CE, SA2777CE

EASA: 10032446 (all except 90 series)

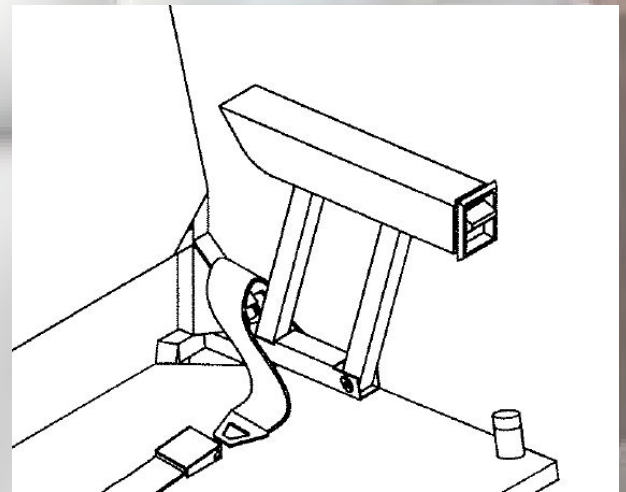
Features: Seat includes lap belt, life vest pouch, life Vest, and cushions (un-upholstered). Various floor plans are available.

Options: Head Rest, Arm Rest, Leather Upholstery

Installation: No airframe modification is required other than removing existing seats and furnishings, and sliding the new high density seats onto original seat rails (complete installation instructions, diagrams, and weight and balance information are included in the kit). On some models of the King Air, a table plug is recommended for aesthetic purposes.

Lead Time: Seats are normally in stock and available for immediate world-wide shipment, however, fluctuations in demand may cause as much as a 30 day delay for delivery.

Econo Seat Options



Here are some of the many
Leather Upholstery colors available...



Black



Dark Gray



Light Gray



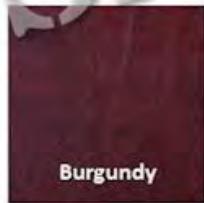
Navy Blue



Teal



Beige



Burgundy

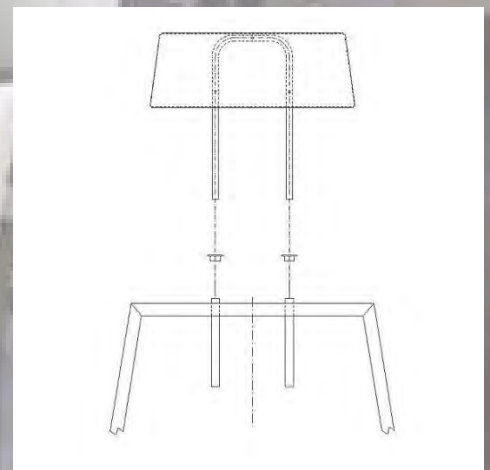


Coffee



Ivory

...more colors available upon request!

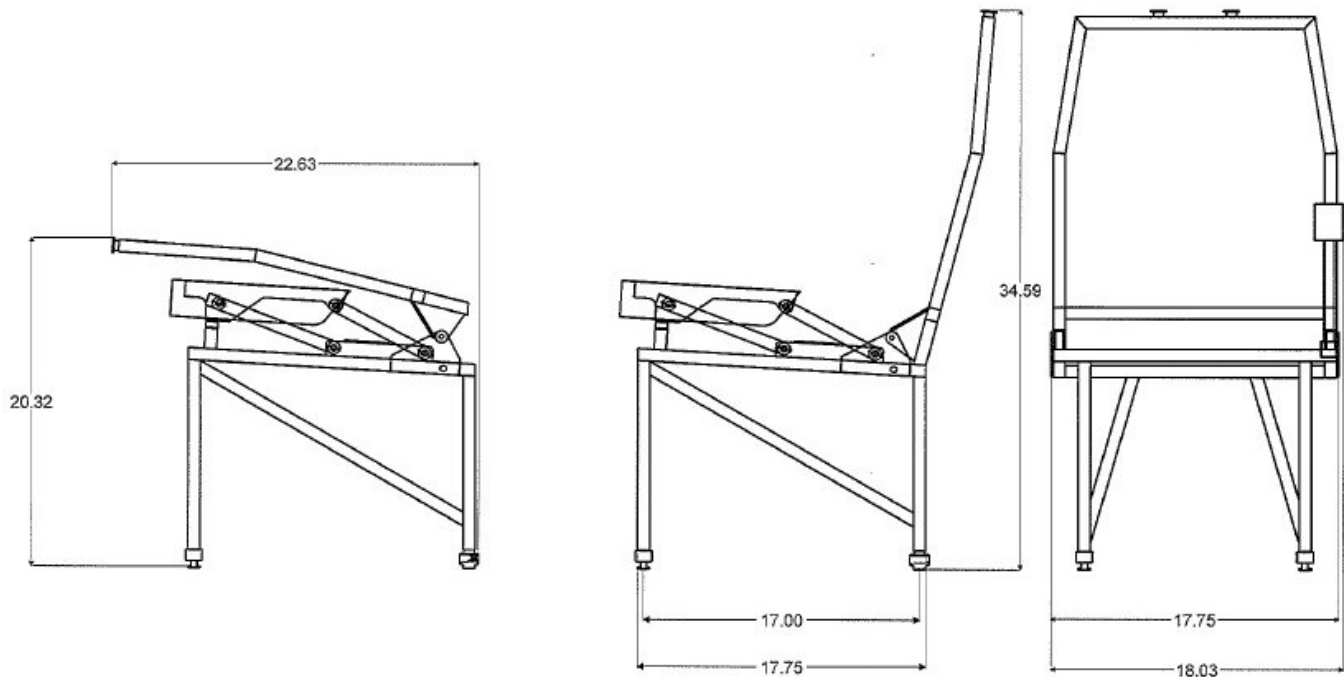




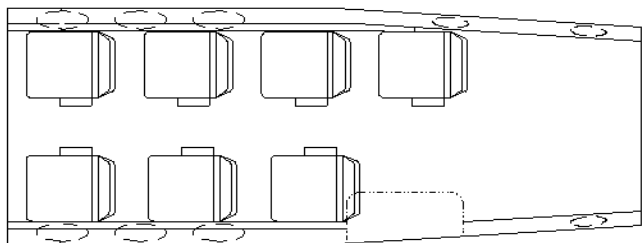
Installed Econo Seats



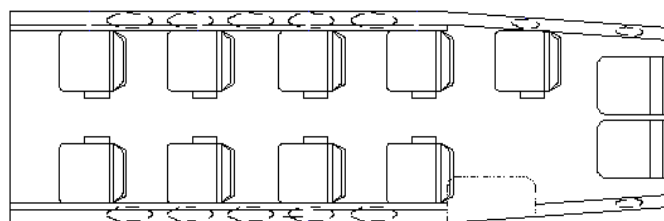
Econo Seat Dimensions



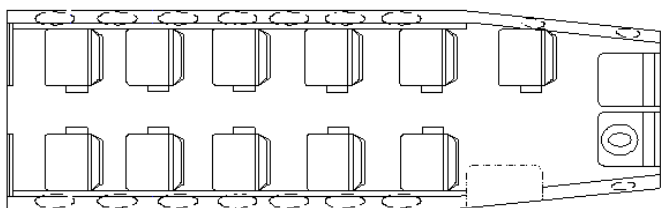
Sample King Air Econo Seat Floor Plans



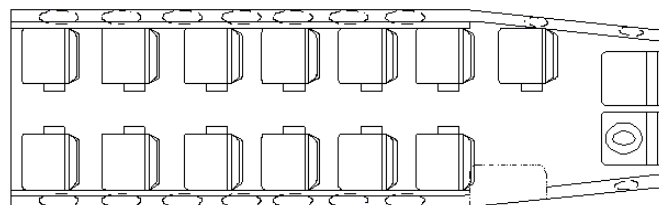
7 Passenger



9 Passenger



11 Passenger



13 Passenger



King Air 90
5 Seat Floor Plan
Airline Style Seats



King Air 100, 200, 300
7 Seat Floor Plan
Airline Style Seats



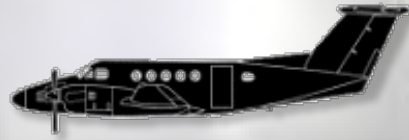
King Air 100, 200, 300
9 Seat Floor Plan
Airline Style Seats



King Air 350
11 Seat Floor Plan
Airline Style Seats



King Air 350
13 Seat Floor Plan
Airline Style Seats



Learn more about Avfab's comprehensive line of
King Air products & services at
www.AvFab.com



Aviation Fabricators
805 North Forth Street
Clinton, MO 64735
(660) 885-8317
www.AvFab.com